

For reference only. See data sheet for the detailed specifications.

Technical Specification



Frequency Range(GHz)	2.0 – 8.0	
Gain(dBi)	12 Typ.	
Polarization	Linear	
3dB Beamwidth(deg)	E Plane:	85 - 31
	H Plane:	77 - 31
Cross Pol. Isolation(dB)	25 Typ.	
VSWR	1.5:1 Typ.	
	2.5:1 Max.	
Connector	SMA-Female or N-Female	
Power Handling(W CW)	SMA-Female:	50 Max.
	N-Female:	150 Max.
Material	Al	
Finish	Chemical Conversion Coating	
Size(mm)	103.8 x 77.9 x 127	
Net Weight(Kg)	0.4 Around	

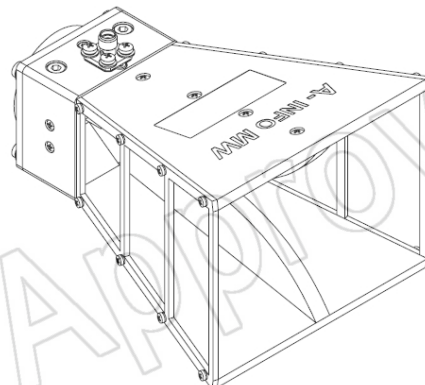
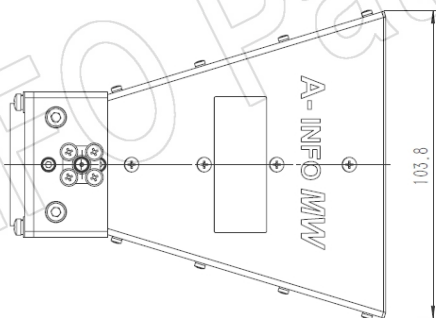
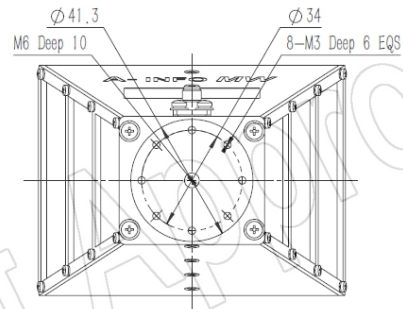
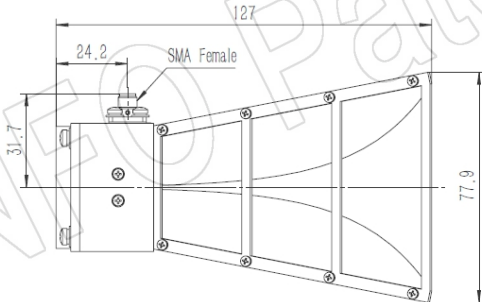
PATENT ID (China)

ZL201630458551.2

Outline Drawing (Size: mm)

SMA-Female Output (P/N: LB-2080-SF)

For N-Female output outline drawing, please contact A-INFO.



AINFO Inc.

China(Beijing):
China(Chengdu):
USA :

Tel: (+86) 10-6266-7326,
Tel: (+86) 28-8519-2786,
Tel: (+1) 949-639-9688,

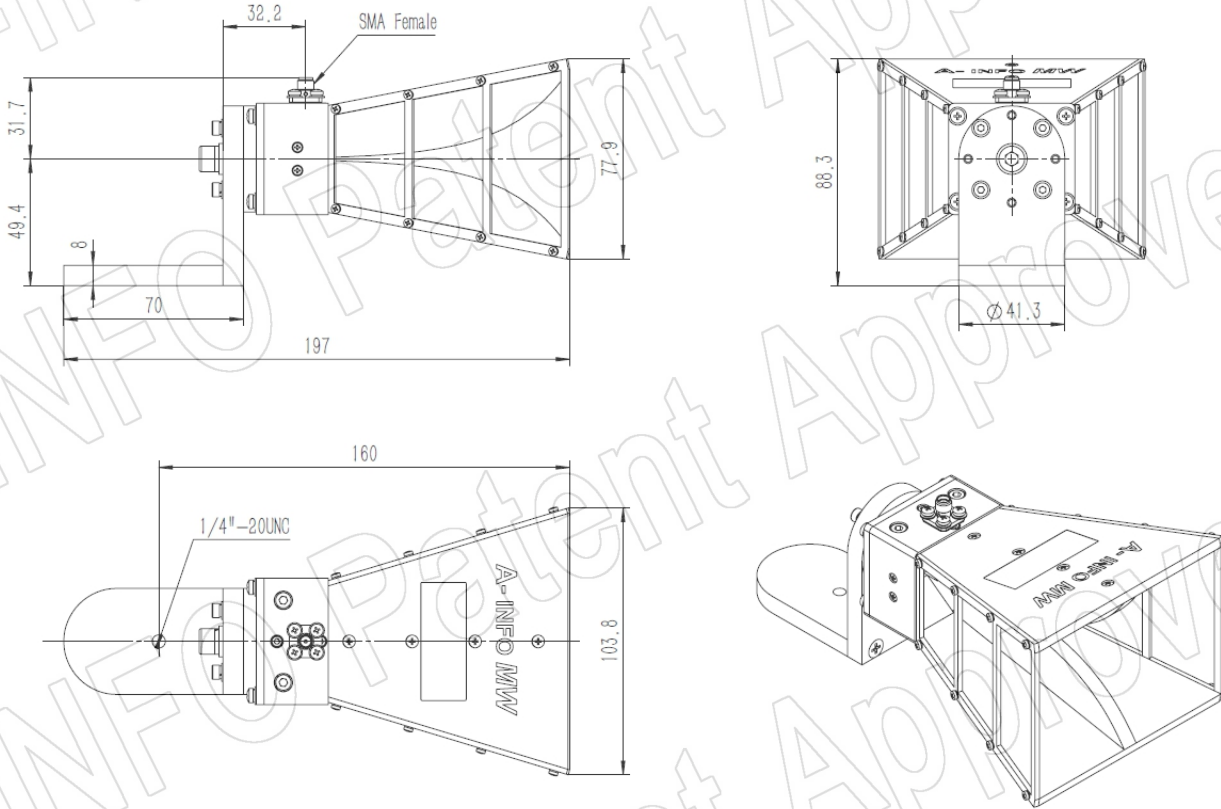
(+86) 10-6266-7327
(+86) 28-8519-3044
(+1) 949-639-9608

Fax: (+86) 10-6266-7379
Fax: (+86) 28-8519-3068
Fax: (+1) 949-639-9670

Website: www.ainfoinc.com
Email: sales@ainfoinc.com

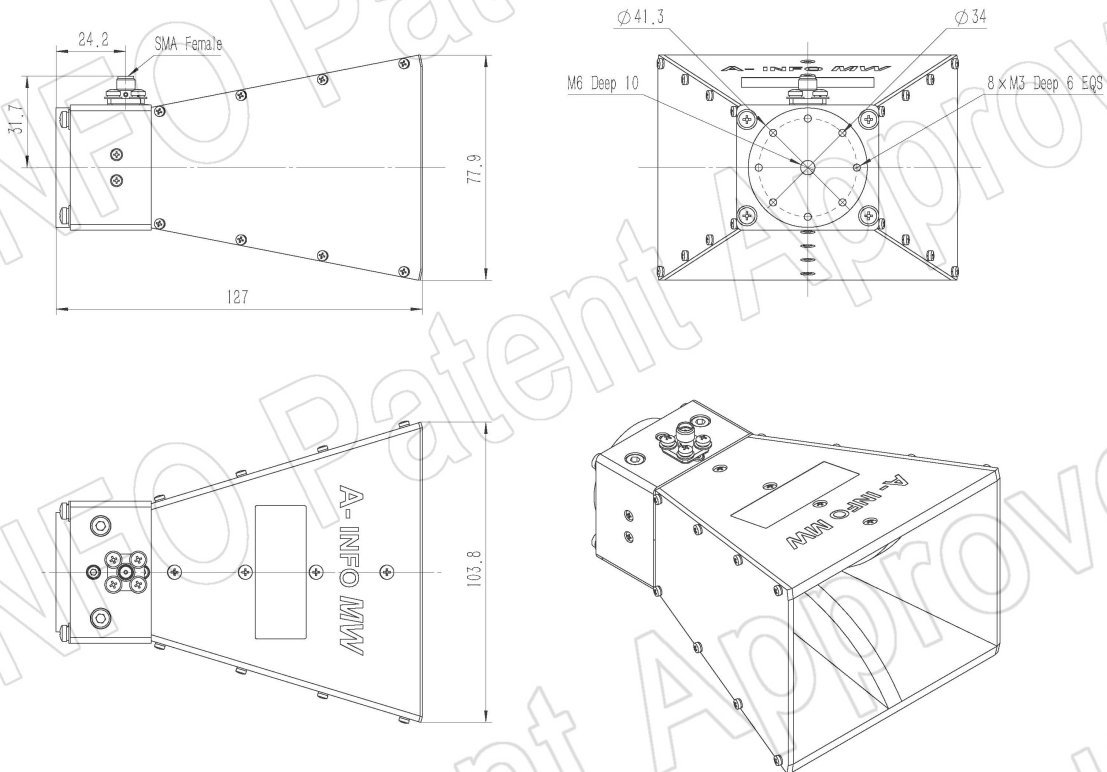
SMA-Female Output with L Type Mounting Bracket (Option, P/N: LB-20180-L)

For N-Female output outline drawing, please contact A-INFO.



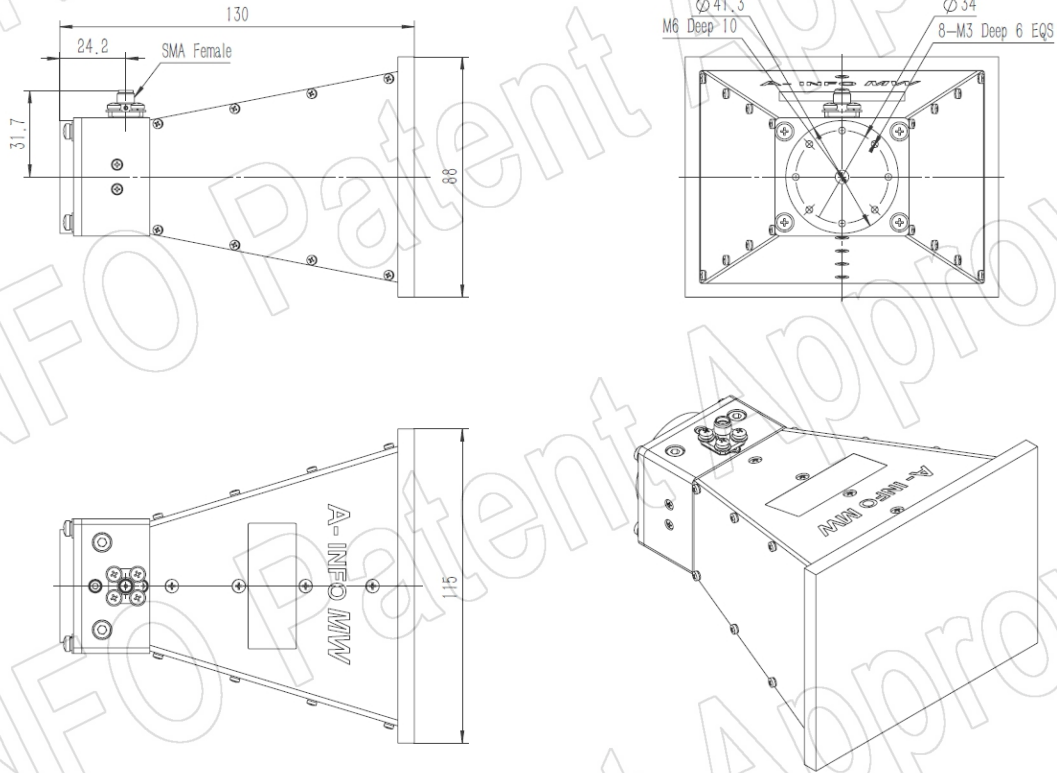
SMA-Female Output with Side Plate (Option, P/N: LB-2080-SFP)

For N-Female output outline drawing, please contact A-INFO.



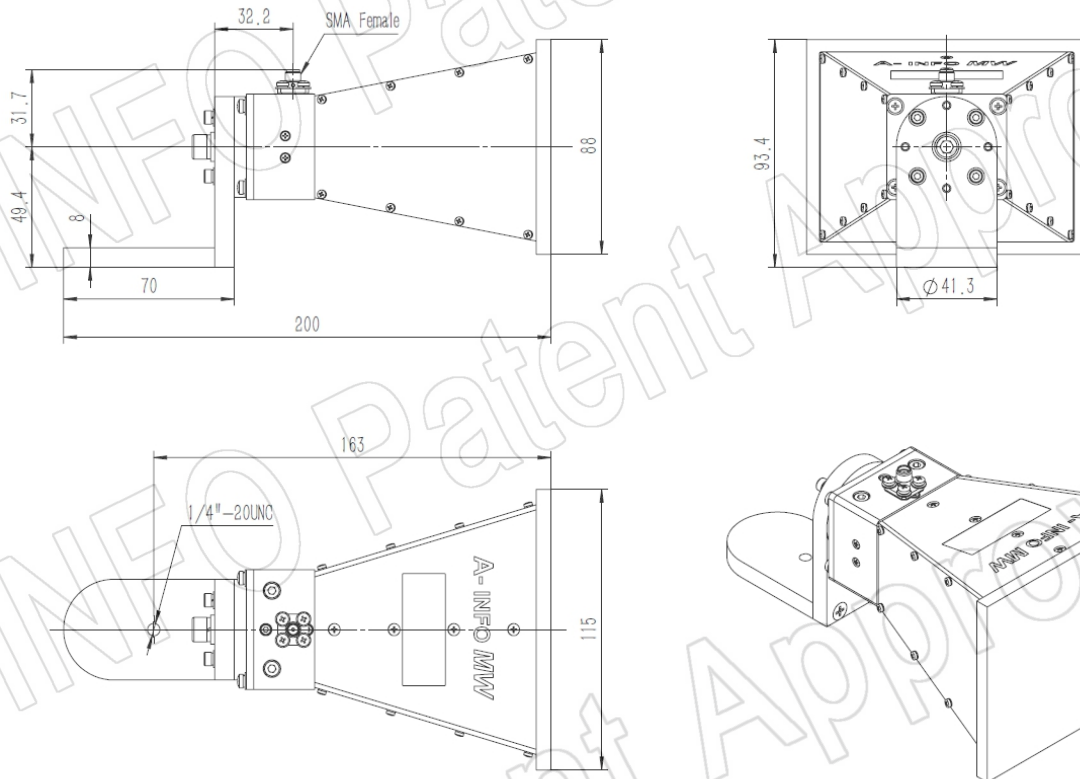
SMA-Female Output with Radome (Option, P/N: LB-2080-SFSP0, Outdoor Application)

For N-Female output outline drawing, please contact A-INFO.



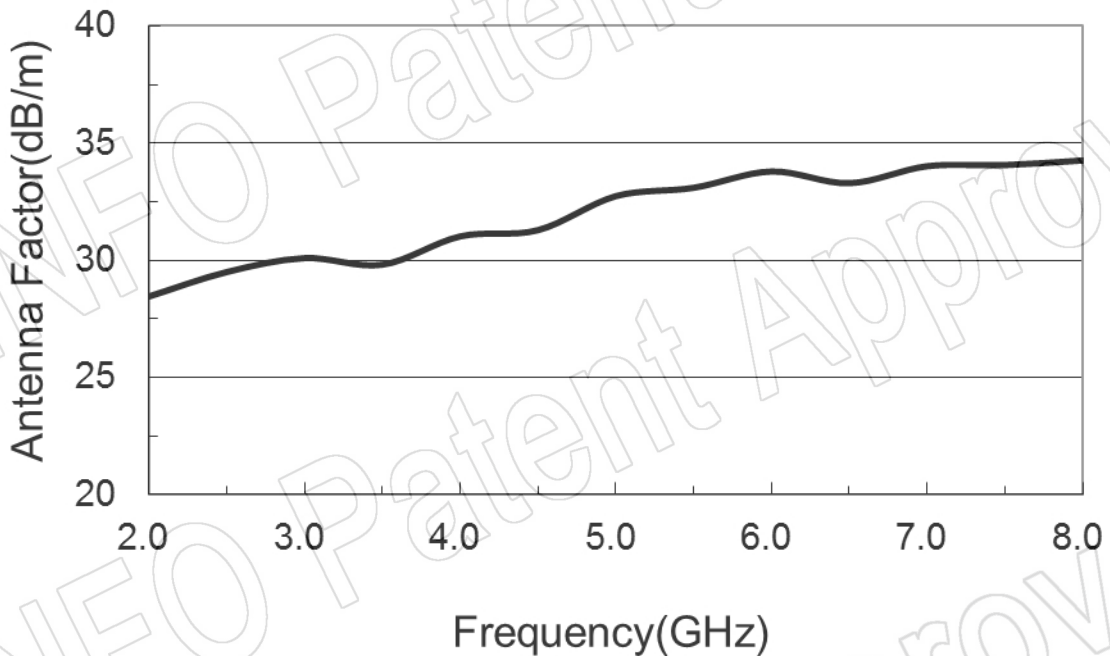
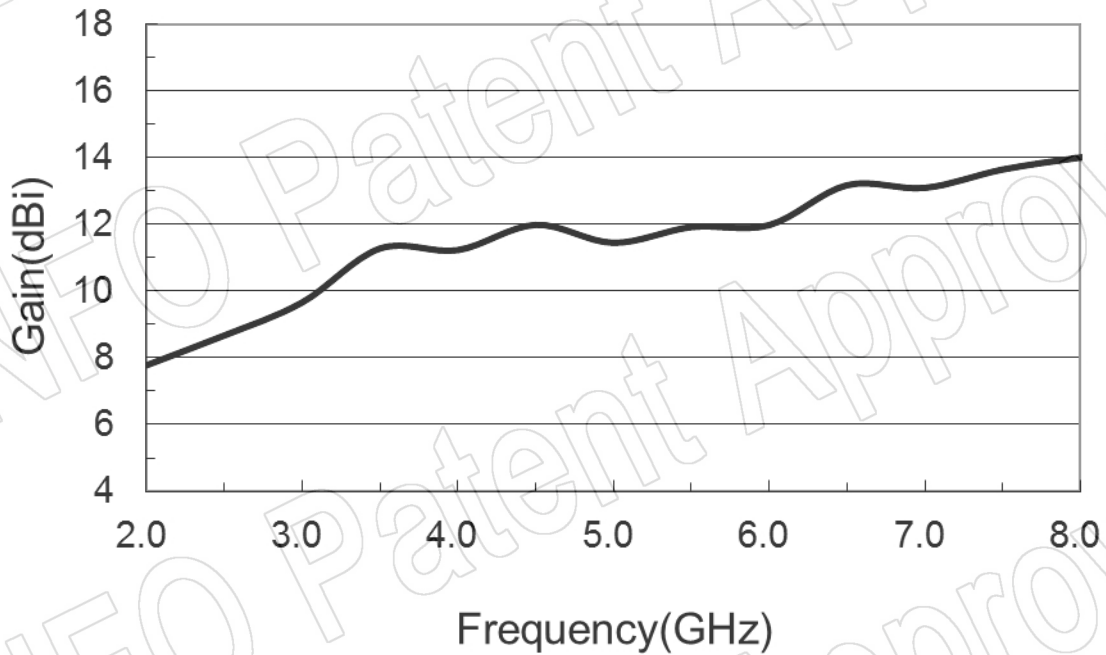
SMA-Female Output with L Type Mounting Bracket & Radome (Option, P/N: LB-20180-L & LB-2080-SFSP0, Outdoor Application)

For N-Female output outline drawing, please contact A-INFO.

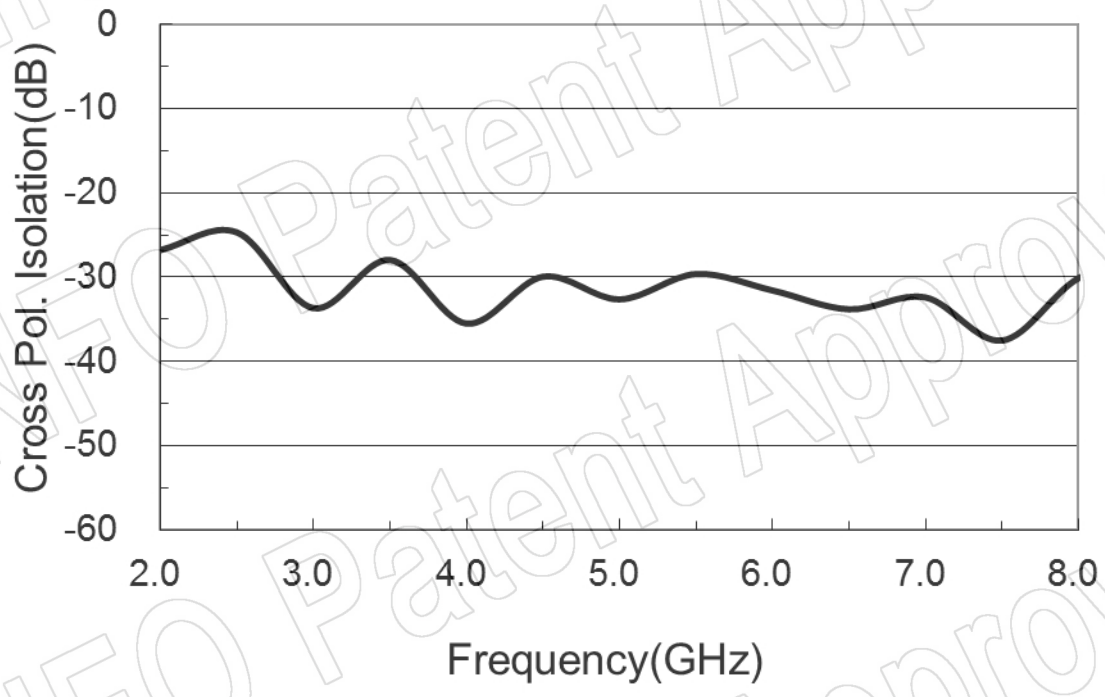


Test Results

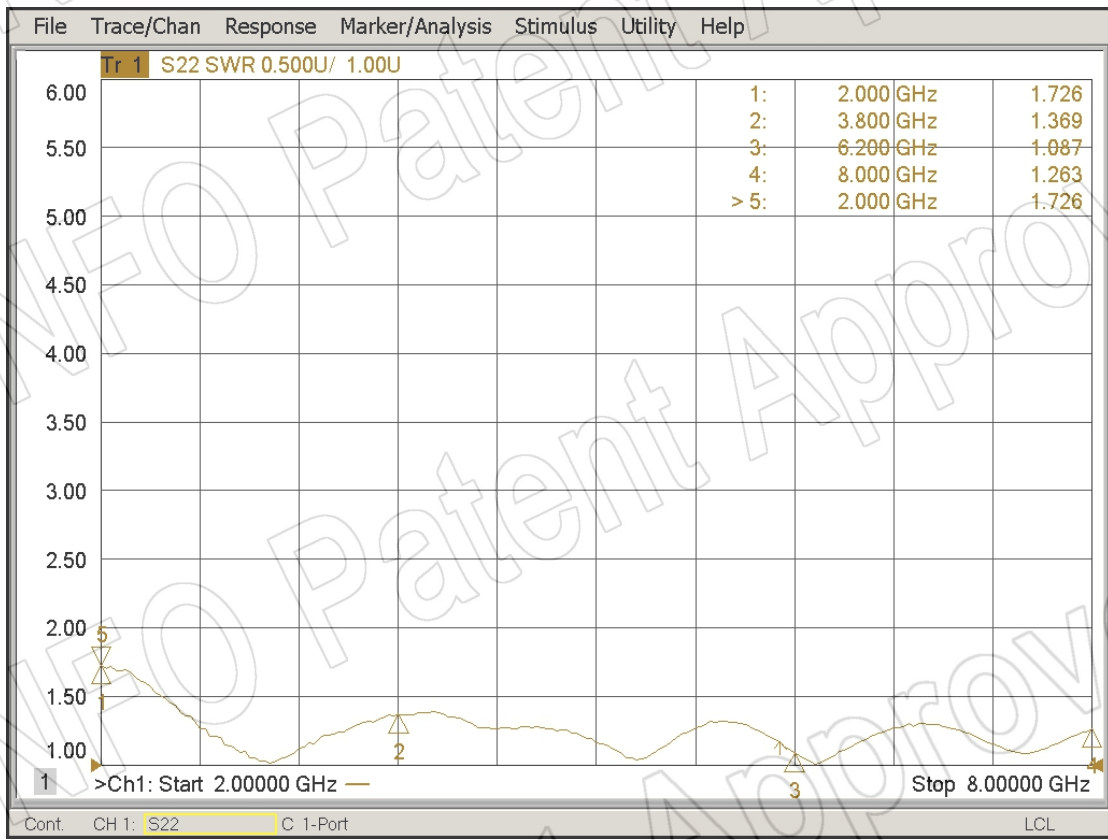
1. Gain & Antenna Factor



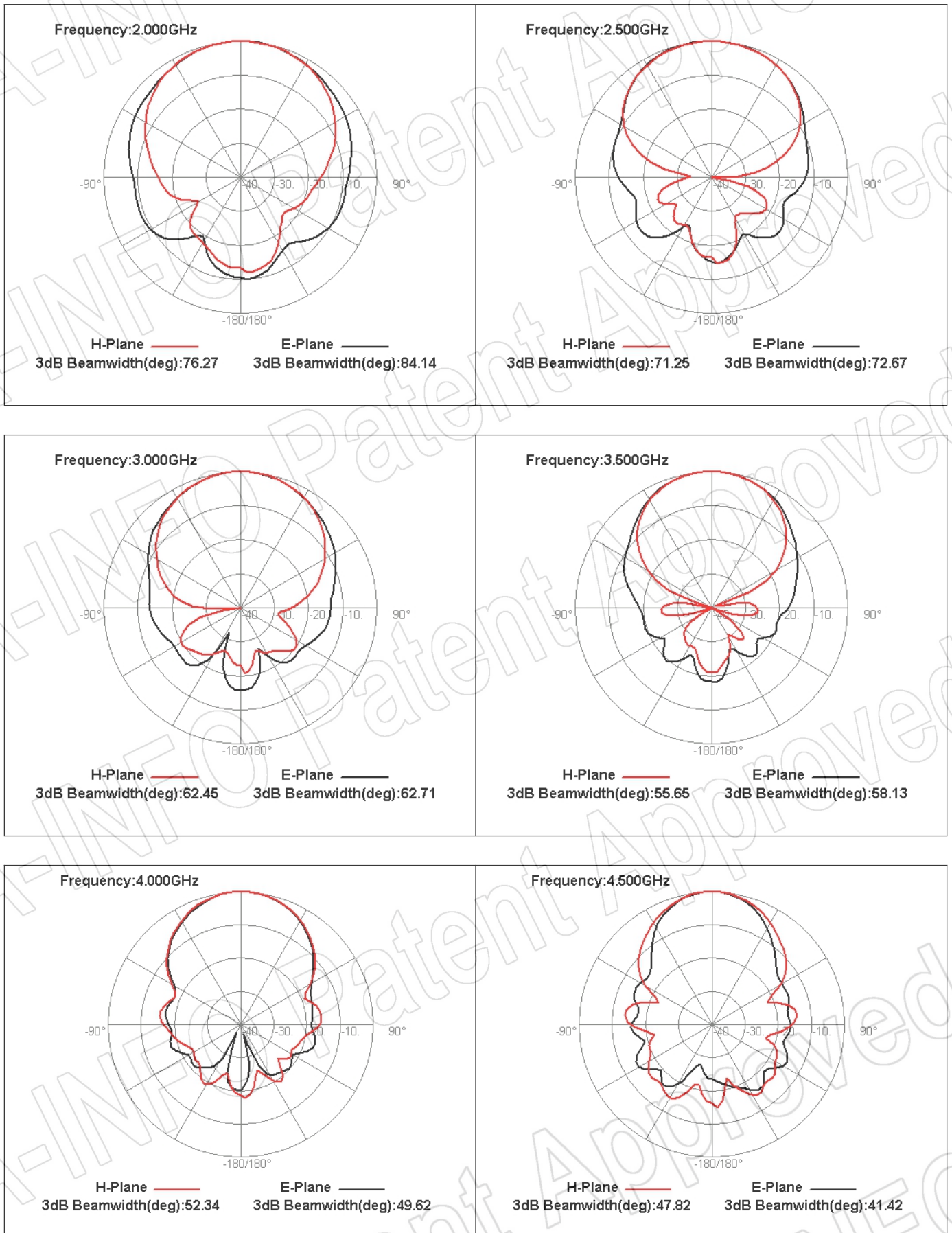
2. Cross Polarization Isolation

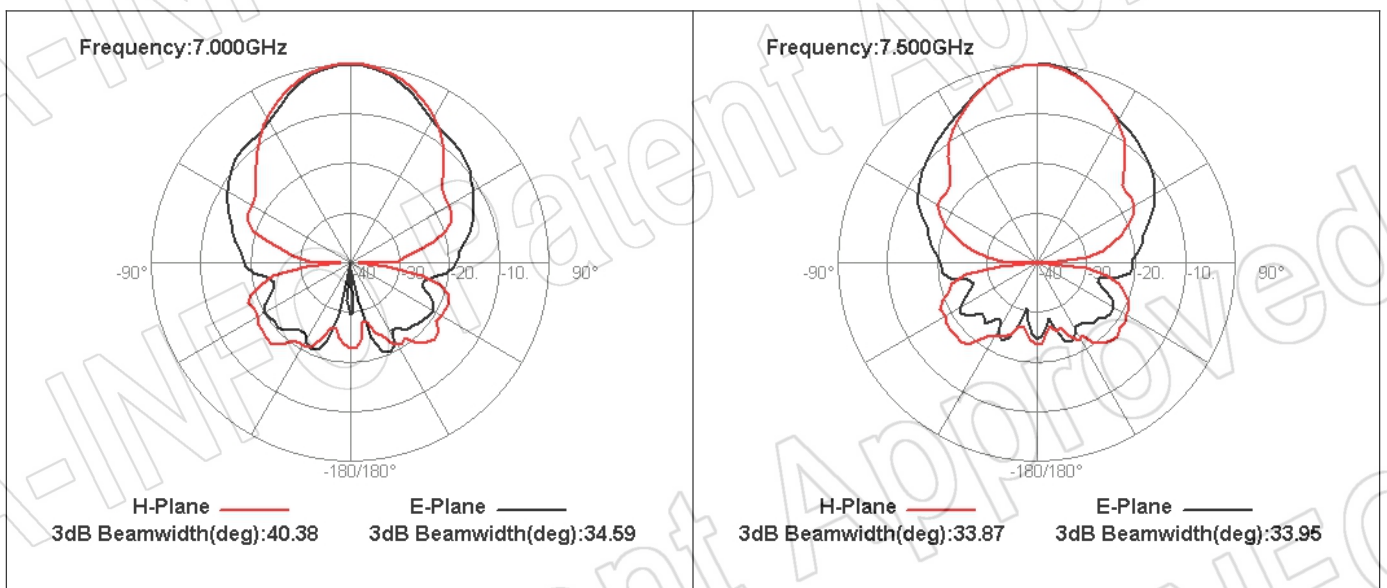
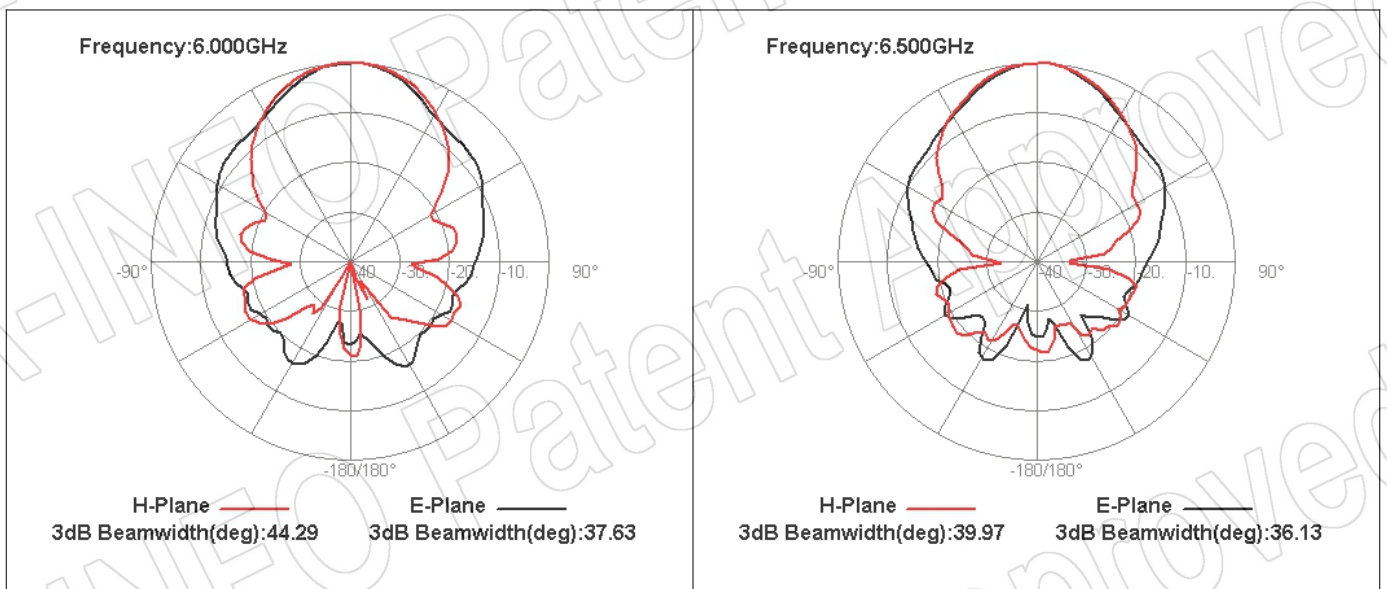
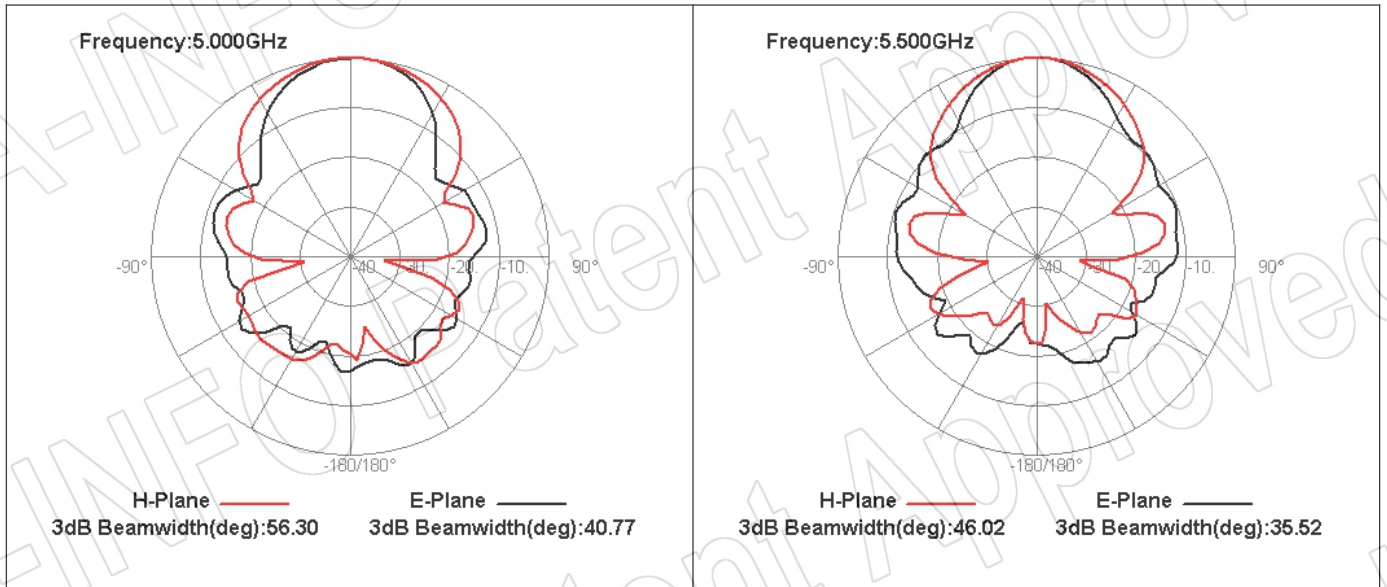


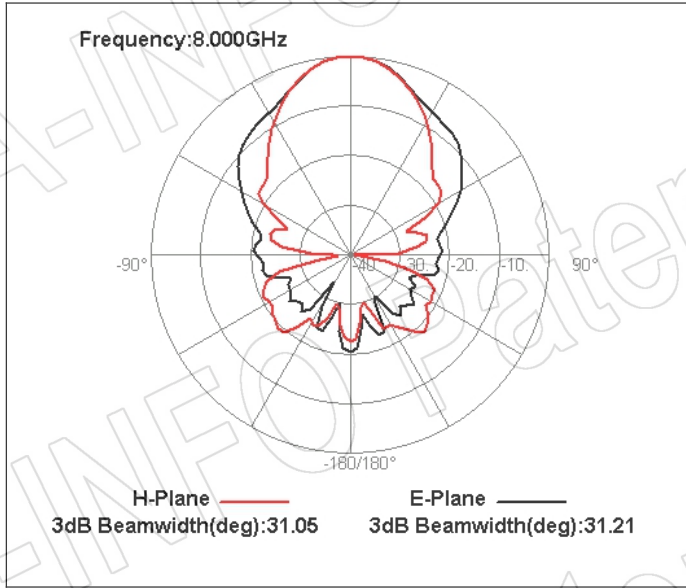
4. VSWR



4. Pattern







AINFO Inc.

China(Beijing):
China(Chengdu):
USA :

Tel: (+86) 10-6266-7326,
Tel: (+86) 28-8519-2786,
Tel: (+1) 949-639-9688,

(+86) 10-6266-7327
(+86) 28-8519-3044
(+1) 949-639-9608

Page 8 of 8

Fax: (+86) 10-6266-7379
Fax: (+86) 28-8519-3068
Fax: (+1) 949-639-9670

Website: www.ainfoinc.com
Email: sales@ainfoinc.com